

MT+IR

ELESA Original design

Crank handles with fold-away handle



• **Material**

Glass-fibre reinforced polyamide based (PA) technopolymer. Resistant to solvents, oils, greases and other chemical agents.

• **Colour**

Black, matte finish.

• **Assembly**

Black-oxide steel hub:
- with H9 pre-drilled blind hole
- with H7 reamed through hole.

• **Self-adhesive front plate**

Anodised aluminium.

• **Fold-away handle**

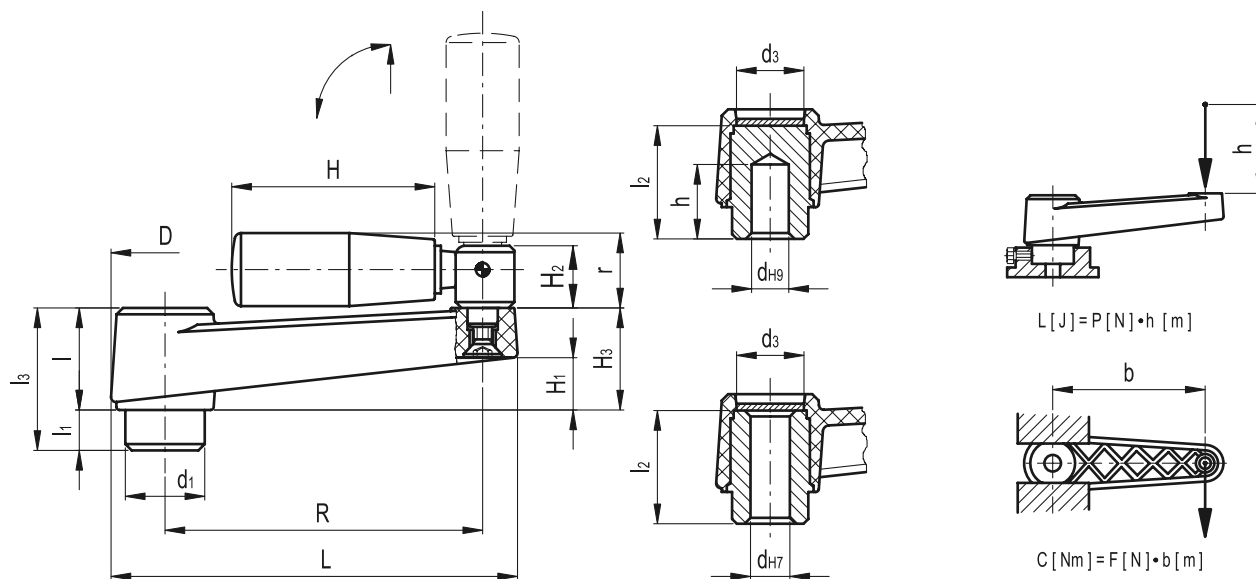
Type IR.612 high-resilience polypropylene based (PP) technopolymer, black colour, matte finish.

Accessories on request

Axial retaining washer type GN 184 (see page 631).

Features and applications

The reticular structure of the crank arm and the technopolymer used make this handle very strong and therefore suitable for transmitting high torque values.



Standard Elements		Main dimensions											Mounting hole				Handle		C #	L #	Δ
Code	Description	R	L	D	d ₁	d ₃	l	l ₁	l ₃	H ₁	H ₃	r	d _{H7}	d _{H9}	l ₂	h	H	H ₂	[Nm]	[J]	g
44216	MT.80+IR	80	105	30	22	17	26	10	36	13	27	19	-	6	32	26	56	15	180	15	177
44221	MT.80+IR A-10	80	105	30	22	17	26	10	36	13	27	19	10	-	32	-	56	15	180	15	163
44316	MT.100+IR	100	128	34	24	21	30	10	40	15	31	22	-	8	37	28	65	20	200	27	285
44321	MT.100+IR A-12	100	128	34	24	21	30	10	40	15	31	22	12	-	37	-	65	20	200	27	265
44416	MT.130+IR	130	162	40	28	25	35	14	49	20	35	22	-	10	44	30	65	20	350	45	385
44421	MT.130+IR A-14	130	162	40	28	25	35	14	49	20	35	22	14	-	44	-	65	20	350	45	340
44516	MT.160+IR	160	198	45	34	27	40	15	55	23	40	24	-	10	49	30	80	20	450	55	525
44521	MT.160+IR A-16	160	198	45	34	27	40	15	55	23	40	24	16	-	49	-	80	20	450	55	473
44621	MT.210+IR	212	252	50	40	31	45	15	60	26	46	27	-	12	53	30	90	23	950	80	840

See Technical Data (page A8) for maximum applicable torque (C) and impact strength (L).