

METP.

ELESA Original design



Balanced crank handle with revolving handle



- **Material**

Glass-fibre reinforced polyamide based (PA) technopolymer. Resistant to solvents, oils, greases and other chemical agents. Balancing by means of an incorporated counterweight.

- **Colour**

Black, matte finish.

- **Assembly**

Black-oxide steel boss, H7 reamed hole.

METP. balanced crank handles are provided with centres already drilled for pinning to shaft.

- **Centre closing cap**

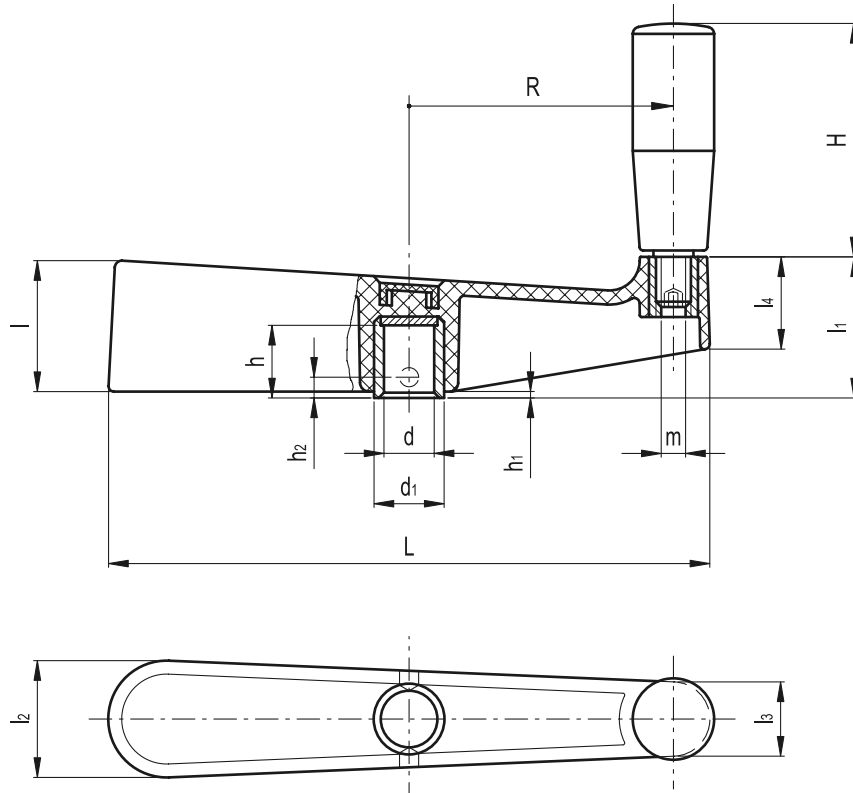
Technopolymer, black colour. On request and for sufficient quantities it can be supplied in other colours and customised with marks or words.

- **Revolving handle**

Type I.601+x (see page 395) high-resilience polypropylene based (PP) technopolymer, black colour, matte finish.

Features

Its surface with matte finish allows a sensible grip during operation, even in case of short approach controls. The revolving handle makes high-speed rotation easier.



Standard Elements		Main dimensions									Bore		Handle			⚖
Code	Description	L	l	l1	l2	l3	l4	d1	h1	h2	d H7	h	H	m	R	g
38901	METP.170	170	37	39	33	21	25	19.8	1.8	11	14	22	65	M10	74	275