

ME.

ELESA Original design

Balanced crank handles with revolving handle



- **Material**

Reinforced phenolic based (PF) Duroplast. Polyamide based (PA) technopolymer for ME.95.

Resistant to solvents, oils, greases and other chemical agents. Balancing by means of an incorporated counterweight.

- **Colour**

Black, glossy finish.

- **Assembly**

Black-oxide steel hub, H7 reamed hole.

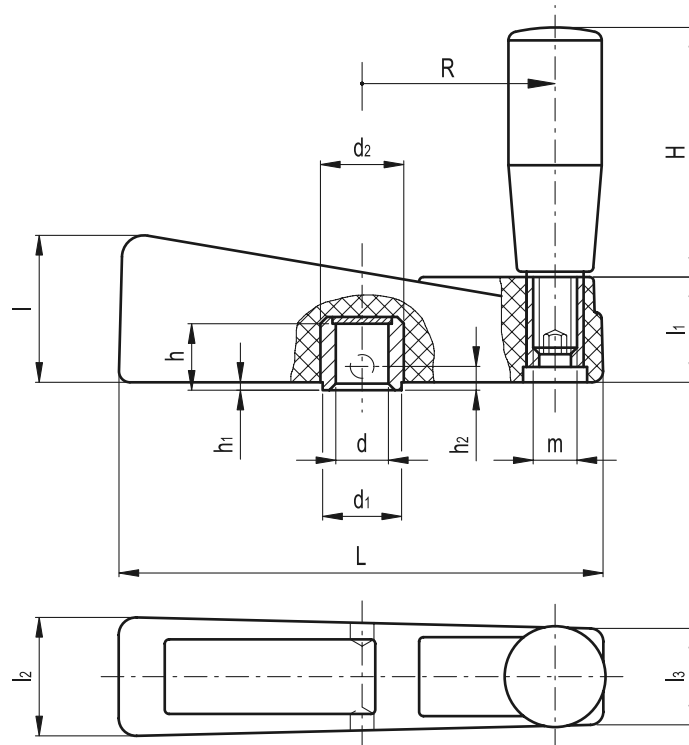
ME. balanced crank handles are provided with centres already drilled for pinning to shaft. Use pins with smaller diameter than that of the hole already drilled in the plastic material to avoid local stress.

- **Front plate**

Matte anodised aluminium (ELESA original design).

- **Revolving handle**

Type I.301+x (see page 395) phenolic based (PF) Duroplast, black colour, glossy finish.



Standard Elements		Main dimensions									Bore		Handle			
Code	Description	L	l	l1	l2	l3	d1	d2	h1	h2	d H7	h	H	m	R	g
38001	ME.65	65	23	18	22	19	13	14	1.5	6.5	8	13	40	M6	23	93
38101	ME.80	80	26	20	24	20	14	15	1.5	8	10	16	40	M6	30	102
38201	ME.95	94	29	22	26	22	14	15	1.5	8	10	19	50	M8	36	133
38301	ME.110	110	34	24	28	22	18	19	1.5	9	12	17.5	65	M10	44	260
38401	ME.140	140	37	26	30	24	18	19	1.5	9	12	17.5	80	M10	57	335



elesa-ganter

ELESA and GANTER models all rights reserved in accordance with the law. Always mention the source when reproducing our drawings.