

# GN 471.3

## Crank handles with fold-away handle



- **Material**

Cast aluminium, RAL 9005 black, matte epoxy resin coating with textured finish.

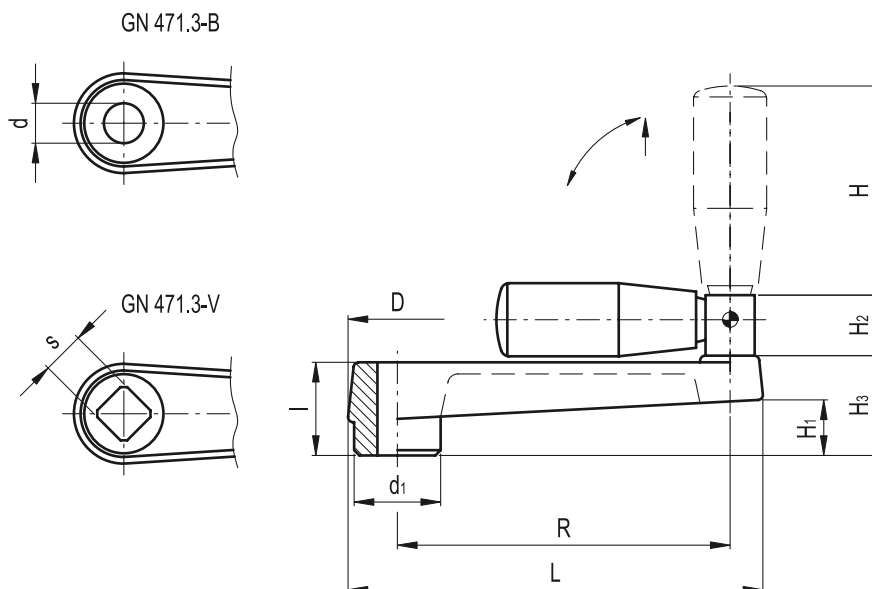
- **Assembly**

- Execution **B**: hub with H7 tolerance plain bore.  
 - Execution **V**: hub with H11 tolerance square bore in compliance with details for square DIN 79 (see page A16).

For fixing GN 471.3 on shafts by a grub screw see Technical Data on page A18.

- **Fold-away handle**

Type GN 598.3 (see page 405) (type KU) black phenolic based (PF) Duroplast. Resistant to solvents, oils, greases and other chemical agents.



Standard Elements	Main dimensions							Mounting hole			Handle		g
	R	L	D	d <sub>1</sub>	H <sub>1</sub>	H <sub>2</sub>	H <sub>3</sub>	d H7	s H11	l	H	Ø	
GN 471.3-100-B12	100	125	30	27	17	19.5	30	12	-	28	67.5	23	199
GN 471.3-100-V12	100	125	30	27	17	19.5	30	-	12x12	28	67.5	23	196
GN 471.3-125-B14	125	154	35	32	22	19.5	36	14	-	34	67.5	23	254
GN 471.3-125-V14	125	154	35	32	22	19.5	36	-	14x14	34	67.5	23	247
GN 471.3-160-B17	160	191	39	35	26	19.5	40	17	-	38	82.5	26	346
GN 471.3-160-V17	160	191	39	35	26	19.5	40	-	17x17	38	82.5	26	340