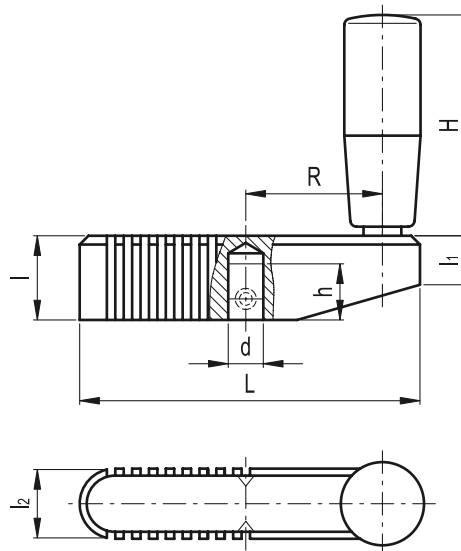


GN 112.1

Balanced handles with revolving handle

- **Material**
Die cast zinc alloy, epoxy resin coating.
- **Colour**
RAL 9005 black, matte, textured finish.
- **Assembly**
H7 reamed blind hole.
- **Revolving handle**
Polyamide based (PA) technopolymer, black colour, matte finish. Resistant to solvents, oils, greases and other chemical agents.



Standard Elements	Main dimensions				Bore		Handle			△
Description	L	l	l ₁	l ₂	d H7	h	H	Ø	R	g
GN 112.1-70-S 8	70	19	11.5	17	8	12	42.5	18	26.5	125
GN 112.1-80-S 8	80	21	12.5	18	8	12	52.5	21	31	170
GN 112.1-90-S 10	90	23	13.5	19	10	15	52.5	21	35.5	251
GN 112.1-100-S 10	100	25	14	20	10	17	67.5	23	40	290
GN 112.1-100-S 12	100	25	14	20	12	17	67.5	23	40	285