



EKH.

ERGOSTYLE®

ELESA Original design

Crank handles with revolving handle



Material

Glass-fibre reinforced polyamide based (PA) technopolymer. Resistant to solvents, oils, greases and other chemical agents.

Colour

Grey-black, matte finish.

Assembly

Black-oxide steel hub, H7 reamed hole.

Hub cap

Glass-fibre reinforced polyamide based (PA) technopolymer in Ergostyle colours, matte finish; supplied not assembled, push-fit assembly, removable by a screwdriver.

Available also as accessory sold separately (see table below).

Code	Description	Hub cap for
29633-*	ECM.K3-*	EKH.100
29634-*	ECM.K4-*	EKH.125

* Complete the code and the description adding the index of the colour (C1,.....,C6).

Revolving handle

Type ECH+x (see page 398) high-resilience polypropylene based (PP) technopolymer, grey-black colour, matte finish. The two-volume special design and the semispherical end provide the operator's hand with a safe and ergonomic grip when turning the crank handle.

Accessories on request

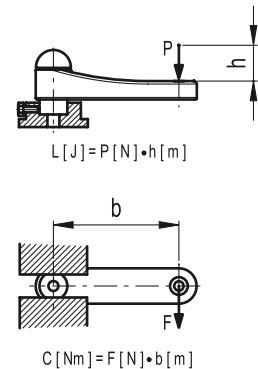
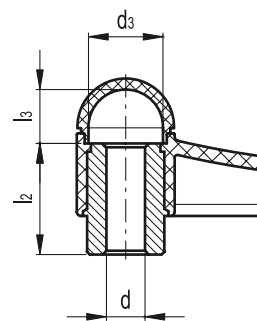
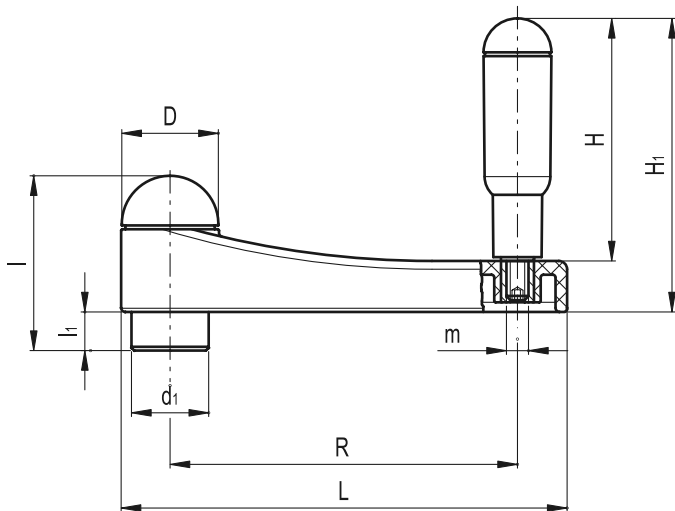
Axial retaining washer type GN 184 (see page 631).

Features and applications

The reticular structure of the crank arm and the technopolymer used make this handle very strong and therefore suitable for transmitting high torque values.



1
113
Operating elements



C1 RAL 7021 C2 RAL 2004 C3 RAL 7035 C4 RAL 1021 C5 RAL 5024 C6 RAL 3000

Standard Elements		Main dimensions									Bore		Handle		C #	L #	Δ
Code	Description	R	L	D	d1	d3	l	l1	l3	H1	d H7	l2	H	m	[Nm]	[J]	g
210241-*	EKH.100 A-12-*	101	131.5	30.5	24	23.5	52.5	10	17	89	12	33	73	M8	200	27	200
210251-*	EKH.125 A-14-*	126	161.5	35	28	26.5	62	14	18	104.5	14	40	86	M8	350	45	298

See Technical Data (page A8) for maximum applicable torque (C) and impact strength (L).

* Complete the code and the description of the standard item needed by adding the index of the colour of the cap (C1,.....,C6) ex: 210241-C2 EKH.100 A-12-C2