

VDT+IR

ELESA Original design

Solid handwheels with fold-away handle



Material

Glass-fibre reinforced polyamide based (PA) technopolymer. Resistant to solvents, oils, greases and other chemical agents.

Colour

Black, matte finish.

Assembly

- Black-oxide steel boss, H7 reamed hole.
- Execution **K**: bosses with hole and keyway in compliance with DIN 6885/1 P9 tolerance (see page A17).
- To order the handwheel with keyway complete code and description with the index -K.

Boss cap

Acetal resin based (POM) technopolymer, black colour, matte finish, push-fit assembly, removable by pressing on the outer edge (ELESA original design).

Ring

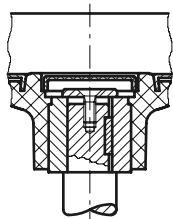
Matte anodised aluminium (ELESA original design).

Fold-away handle

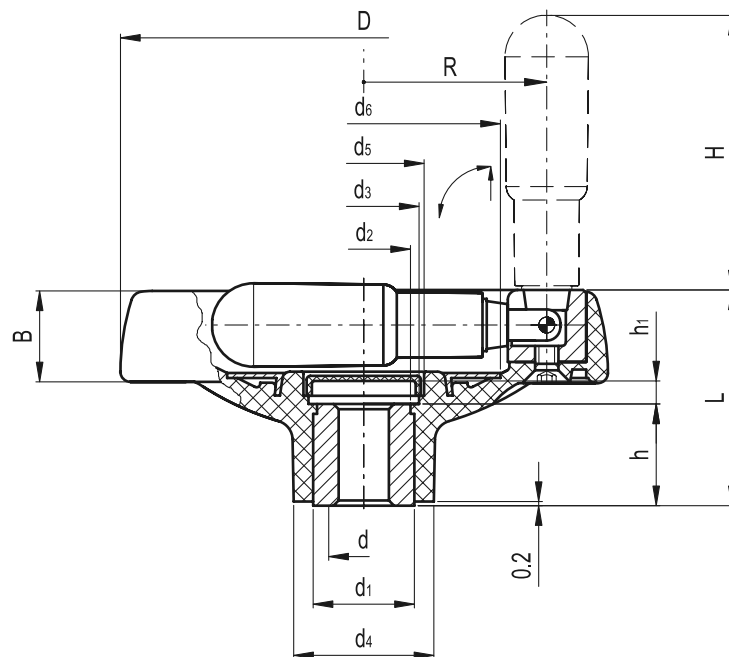
Type IR.620 (see page 404) polyamide based (PA) technopolymer, black colour, matte finish. The two-volume special design and the semi-spherical end provide the operator's hand with a safe and ergonomic grip when turning the handwheel.

Accessories on request

Axial retaining washer type GN 184 (see page 631).



Assembly example with keyway and axial set screw



Standard Elements		Main dimensions										Bore		Handle		C #	L #	Δ
Code	Description	D	L	B	d1	d2	d3	d4	d5	d6	h1	d H7	h	H	R	[Nm]	[J]	g
170327-*	VDT.100+IR A-10-*	100	49	22	22	20	26	32	28	54	5.5	10	22	60	37	180	21	195
170525-*	VDT.125+IR A-12-*	125	57	24	26	24	28	36	31	70	7	12	27	65	47	200	23	365
170727-*	VDT.160+IR A-14-*	160	64	27	35	33	38	46	40	90	11	14	28	80	62	400	25	600
170927-*	VDT.200+IR A-20-*	200	68	30	40	38	50	51	52	110	9	20	31	90	78	600	35	875

See Technical Data (page A8) for maximum applicable torque (C) and impact strength (L).

* To order the handwheel with keyway add the index -K ex: 170327-K VDT.100+IR A-10-K



eleSA-GANTER

ELESA and GANTER models all rights reserved in accordance with the law. Always mention the source when reproducing our drawings.