

VDT.

ELESA Original design

Solid handwheels



Material

Polyamide-based (PA) glass-fibre reinforced technopolymer. Resistant to solvents, oils, greases and other chemical agents.

Colour

Black, matte finish.

Assembly

- Black-oxide steel boss, H7 reamed hole.
- Execution **K**: bosses with hole and keyway in compliance with DIN 6885/1 P9 tolerance (see page A17).
To order the handwheel with keyway complete code and description with the index -K.

Boss cap

Acetal resin based (POM) technopolymer, black colour, matte finish, push-fit assembly, removable by pressing on the outer edge (ELESA original design).

Ring

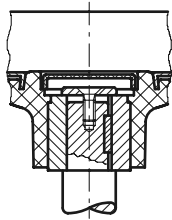
Matte anodised aluminium (ELESA original design).

Accessories on request

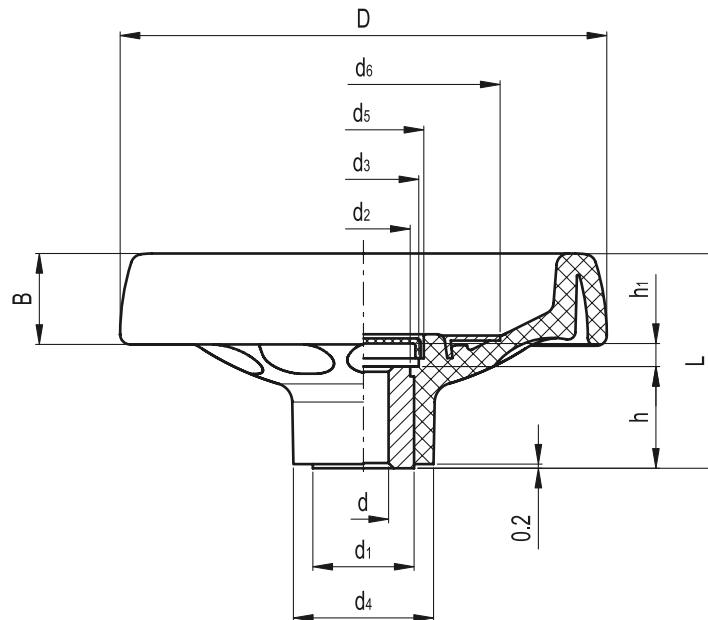
Axial retaining washer type GN 184 (see page 631).

Ergonomy

The rim with internal rear scallops makes the grip and the manoeuvre of the handwheel easier even from side positions.



Assembly example
with keyway and axial set screw



Standard Elements		Main dimensions										Bore		C #	L #	Δ
Code	Description	D	L	B	d1	d2	d3	d4	d5	d6	h1	d H7	h	[Nm]	[J]	g
170307-*	VDT.100 A-10-*	100	49	22	22	20	26	32	28	54	5.5	10	22	180	21	155
170505-*	VDT.125 A-12-*	125	57	24	26	24	28	36	31	70	7	12	27	200	23	285
170707-*	VDT.160 A-14-*	160	64	27	35	33	38	46	40	90	11	14	28	400	25	505
170907-*	VDT.200 A-20-*	200	68	30	40	38	50	51	52	110	9	20	31	600	35	730

See Technical Data (page A8) for maximum applicable torque (C) and impact strength (L).

* To order the handwheel with keyway add the index -K ex: 170307-K VDT.100 A-10-K



eleSA-GANTER

ELESA and GANTER models all rights reserved in accordance with the law. Always mention the source when reproducing our drawings.