



design award
winner
2003

VDT+I

ELESA Original design

Solid handwheels with revolving handle



- **Material**

Glass-fibre reinforced polyamide based (PA) technopolymer. Resistant to solvents, oils, greases and other chemical agents.

- **Colour**

Black, matte finish.

- **Assembly**

- Black-oxide steel boss, H7 reamed hole.

- Execution **K**: bosses with hole and keyway in compliance with DIN 6885/1 P9 tolerance (see page A17).

To order the handwheel with keyway complete code and description with the index -K.

- **Boss cap**

Acetal resin based (POM) technopolymer, black colour, matte finish, push-fit assembly, removable by pressing on the outer edge (ELESA original design).

- **Ring**

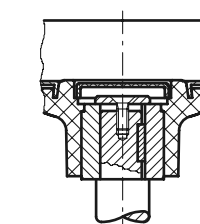
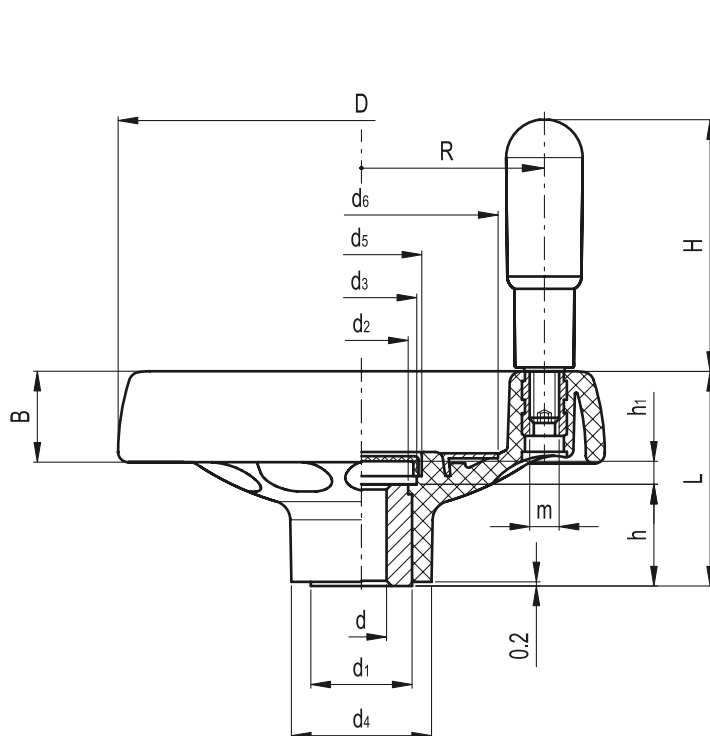
Matte anodised aluminium (ELESA original design).

- **Revolving handle**

Type I.621+x (see page 397) polyamide based (PA) technopolymer, black colour, matte finish. The two-volume special design and the semi-spherical end provide the operator's hand with a safe and ergonomic grip when turning the handwheel.

Accessories on request

Axial retaining washer type GN 184 (see page 631).



Assembly example
with keyway and axial set screw

Standard Elements		Main dimensions										Bore		Handle			C #	L #	$\Delta \triangle$
Code	Description	D	L	B	d ₁	d ₂	d ₃	d ₄	d ₅	d ₆	h ₁	d H7	h	H	m	R	[Nm]	[J]	g
170317-*	VDT.100+I A-10-*	100	49	22	22	20	26	32	28	54	5.5	10	22	60	M6	37	180	21	185
170515-*	VDT.125+I A-12-*	125	57	24	26	24	28	36	31	70	7	12	27	65	M8	47	200	23	355
170717-*	VDT.160+I A-14-*	160	64	27	35	33	38	46	40	90	11	14	28	80	M8	62	400	25	585
170917-*	VDT.200+I A-20-*	200	68	30	40	38	50	51	52	110	9	20	31	90	M10	78	600	35	820

See Technical Data (page A8) for maximum applicable torque (C) and impact strength (L).

* To order the handwheel with keyway add the index -K ex: 170317-K VDT.100+I A-10-K