

VDO.FP+IRS

ELESA Original design

Solid handwheels with safety fold-away handle



- **Material**

High-strength, reinforced phenolic based (PF) Duroplast. Resistant to solvents, oils, greases and other chemical agents.

- **Colour**

Black, glossy finish.

- **Assembly**

Black-oxide steel hub, uncovered front end, not drilled. See table for maximum permissible boring diameters d' and d'' .

- **Ring**

Matte anodised aluminium (ELESA original design).

- **Safety fold-away handle**

Type IRS.802 high-resilience polypropylene based (PP) technopolymer, black colour, matte finish, with "Fold-O-matic"® safety device.

Accessories on request

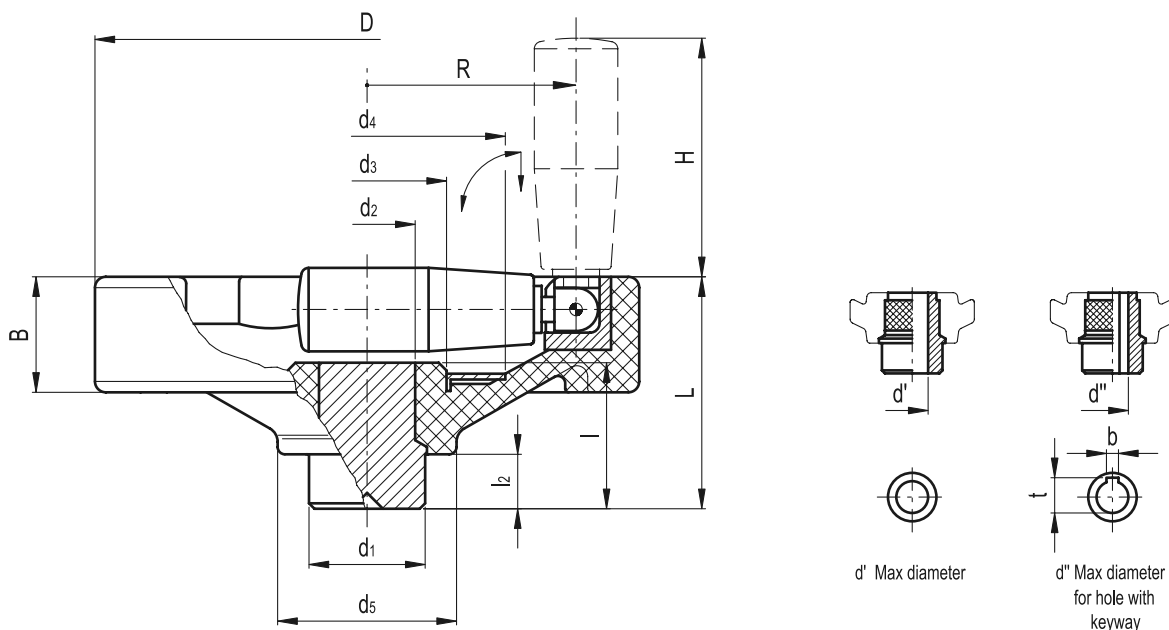
Axial retaining washer type GN 184 (see page 631).

Special executions on request

VDO.FP+IRS+W (for all models except VDO.150 FP+IRS) with incorporated counterweights.

Ergonomy

The rim with front and rear scallops makes the grip and the manoeuvre of the handwheel easier even from side positions.



Standard Elements		Main dimensions										Handle		Permissible holes				C #	L #	△
Code	Description	D	L	B	d ₁	d ₂	d ₃	d ₄	d ₅	l ₁	l ₂	H	R	d'	d''	t	b	[Nm]	[J]	g
72151	VDO.150 FP+IRS	150	63	32	32	24	44	70	48	38	15	68	58	20	16	18.3	5	480	30	755
72251	VDO.175 FP+IRS	178	65	32	40	31	55	90	56	43	15	80	66	26	22	24.8	6	730	40	1120
72351	VDO.200 FP+IRS	201	70	34	40	31	55	90	60	43	15	90	77	26	22	24.8	6	1060	42	1315
72451	VDO.225 FP+IRS	227	74	35	49	38	66	110	66	44	15	90	99	34	27	30.3	8	1340	45	1740
72531	VDO.250 FP+IRS	249	77	36	49	38	66	110	70	44	15	90	101	34	27	30.3	8	1700	46	1960

See Technical Data (page A8) for maximum applicable torque (C) and impact strength (L).