

VD.FP+I

ELESA Original design

Solid handwheels with revolving handle



• **Material**

High-strength, reinforced phenolic based (PF) Duroplast. Resistant to solvents, oils, greases and other chemical agents.

• **Colour**

Black, glossy finish.

• **Assembly**

Black-oxide steel hub, uncovered front end:

- not drilled. See table for maximum permissible boring diameter d' and d'' .

- with H7 reamed hole (execution A).

- Execution **K**: with H7 reamed hole (execution A) with keyway in compliance with DIN 6885/1 P9 tolerance (see page A17).

To order the handwheel with keyway complete code and description with the index -K.

• **Ring**

Matte anodised aluminium (ELESA original design). For VD.50 and VD.63 a matte anodised aluminium centre disc, instead of the ring, is supplied due to their small dimensions.

• **Revolving handle**

Type I.301+X (see page 395) Duroplast, black colour, glossy finish.

Accessories on request

Axial retaining washer type GN 184 (see page 631).

Special executions on request

VD.FP+I+W with incorporated counterweights for VD.175, VD.200, VD.225, VD.250 models.



1

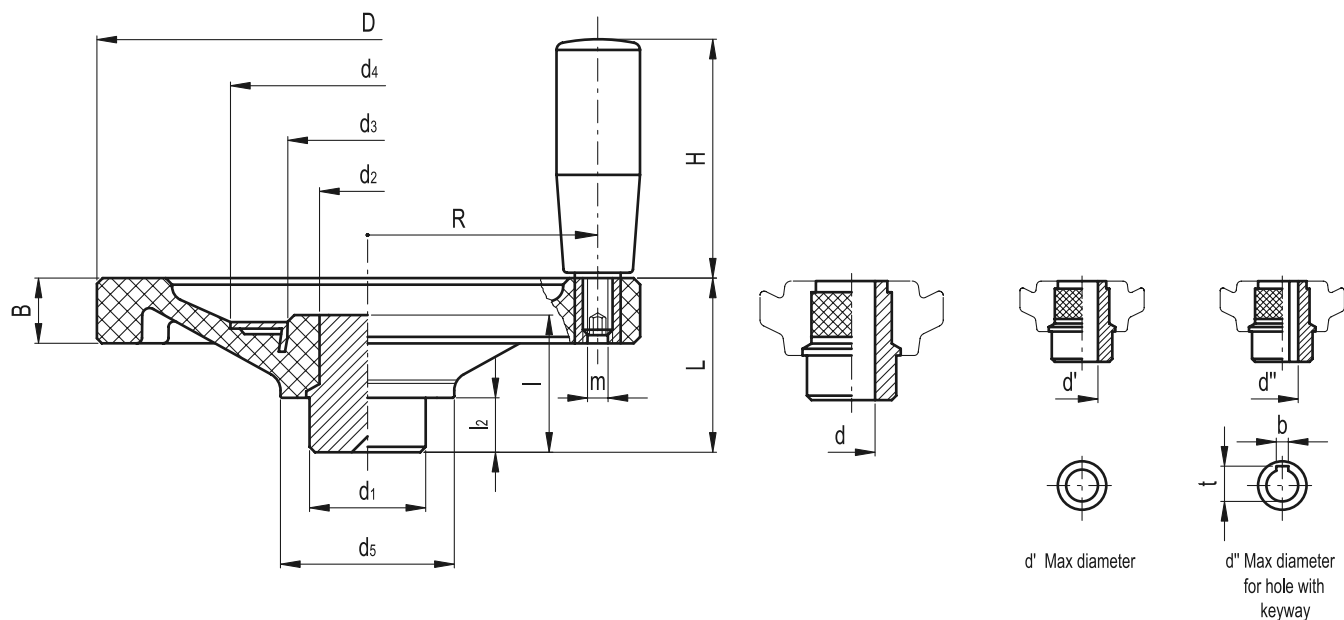
84

Operating elements



eleSA-GANTER

ELESA and GANTER models all rights reserved in accordance with the law. Always mention the source when reproducing our drawings.



Standard Elements		Main dimensions										Bore	Handle			Permissible holes				C #	L #	Δ
Code	Description	D	L	B	d ₁	d ₂	d ₃	d ₄	d ₅	l	l ₂	d H7	H	m	R	d'	d''	t	b	[Nm]	[J]	g
70111	VD.50 FP+I	50	22	12	16	16	-	25	26	19	9	-	28	M6	19	12	10	11.4	3	55	3	75
70115*	VD.50 FP+I-A-10*	50	22	12	16	16	-	25	26	19	9	10	28	M6	19	-	-	-	-	55	3	65
70211	VD.63 FP+I	63	28	13	20	20	-	31	28	24	10	-	40	M6	24	13	11	12.8	4	75	4	145
70215*	VD.63 FP+I-A-10*	63	28	13	20	20	-	31	28	24	10	10	40	M6	24	-	-	-	-	75	4	130
70321	VD.80 FP+I	80	31	14	20	16	28	43	30	28	10	-	40	M6	32	13	11	12.8	4	90	8	180
70325*	VD.80 FP+I-A-10*	80	31	14	20	16	28	43	30	28	10	10	40	M6	32	-	-	-	-	90	8	155
70327*	VD.80 FP+I-A-12*	80	31	14	20	16	28	43	30	28	10	12	40	M6	32	-	-	-	-	90	8	145
70421	VD.100 FP+I	100	40	15	24	20	35	54	39	36	12	-	50	M6	41	16	13	15.3	5	150	11	300
70425*	VD.100 FP+I-A-10*	100	40	15	24	20	35	54	39	36	12	10	50	M6	41	-	-	-	-	150	11	270
70427*	VD.100 FP+I-A-12*	100	40	15	24	20	35	54	39	36	12	12	50	M6	41	-	-	-	-	150	11	260
70521	VD.125 FP+I	125	44	15	32	24	44	70	46	38	15	-	65	M8	53	20	16	18.3	5	300	14	465
70525*	VD.125 FP+I-A-12*	125	44	15	32	24	44	70	46	38	15	12	65	M8	53	-	-	-	-	300	14	415
70527*	VD.125 FP+I-A-14*	125	44	15	32	24	44	70	46	38	15	14	65	M8	53	-	-	-	-	300	14	405
70621	VD.140 FP+I	140	46	18	32	24	44	70	48	38	15	-	65	M8	60	20	16	18.3	5	300	19	530
70625*	VD.140 FP+I-A-14*	140	46	18	32	24	44	70	48	38	15	14	65	M8	60	-	-	-	-	300	19	500
70711	VD.150 FP+I	150	48	18	32	24	44	70	48	38	15	-	65	M8	64	20	16	18.3	5	300	19	580
70713*	VD.150 FP+I-A-14*	150	48	18	32	24	44	70	48	38	15	14	65	M8	64	-	-	-	-	300	19	540
70715*	VD.150 FP+I-A-16*	150	48	18	32	24	44	70	48	38	15	16	65	M8	64	-	-	-	-	300	19	530
70821	VD.175 FP+I	175	53	19	40	31	55	90	56	43	15	-	80	M10	75	26	22	24.8	6	500	27	850
70823*	VD.175 FP+I-A-16*	175	53	19	40	31	55	90	56	43	15	16	80	M10	75	-	-	-	-	500	27	810
70825*	VD.175 FP+I-A-18*	175	53	19	40	31	55	90	56	43	15	18	80	M10	75	-	-	-	-	500	27	800
70921	VD.200 FP+I	200	57	21	40	31	55	90	60	43	15	-	90	M10	86	26	22	24.8	6	700	36	1080
70925*	VD.200 FP+I-A-18*	200	57	21	40	31	55	90	60	43	15	18	90	M10	86	-	-	-	-	700	36	1045
70927*	VD.200 FP+I-A-20*	200	57	21	40	31	55	90	60	43	15	20	90	M10	86	-	-	-	-	700	36	1020
71021	VD.225 FP+I	225	61	23	49	38	66	110	66	44	15	-	90	M10	99	34	27	30.3	8	900	36	1430
71121	VD.250 FP+I	249	65	25	49	38	66	110	70	44	15	-	90	M10	109	35	27	30.3	8	1300	40	1630
71125*	VD.250 FP+I-A-22*	249	65	25	49	38	66	110	70	44	15	22	90	M10	109	-	-	-	-	1300	40	1510
71221	VD.300 FP+I	301	75	25	58	58	94	148	82	56	18	-	90	M10	134	42	38	41.3	10	1500	48	3020
71225*	VD.300 FP+I-A-26*	301	75	25	58	58	94	148	82	56	18	26	90	M10	134	-	-	-	-	1500	48	2805
71311	VD.350 FP+I	350	92	38	58	58	94	148	90	56	18	-	100	M10	157	42	38	41.3	10	1600	65	4100

See Technical Data (page A8) for maximum applicable torque (C) and impact strength (L).

* To order the handwheel with keyway add the index -K ex: 70115-K VD.50 FP+I-A-10-K