

VD.FP

ELESA Original design

Solid handwheels



• Material

High-strength, reinforced phenolic based (PF) Duroplast. Resistant to solvents, oils, greases and other chemical agents.

• Colour

Black, glossy finish.

• Assembly

Black-oxide steel hub, uncovered front end:

- not drilled. See table for maximum permissible boring diameter d' and d'' .
- with H7 reamed hole (execution A).
- Execution **K**: with H7 reamed hole (execution A) with keyway in compliance with DIN 6885/1 P9 tolerance (see page A17).

To order the handwheel with keyway complete code and description with the index -K.

• Ring

Matte anodised aluminium (ELESA original design). For VD.50 and VD.63 a matte anodised aluminium centre disc, instead of the ring, is supplied due to their small dimensions.

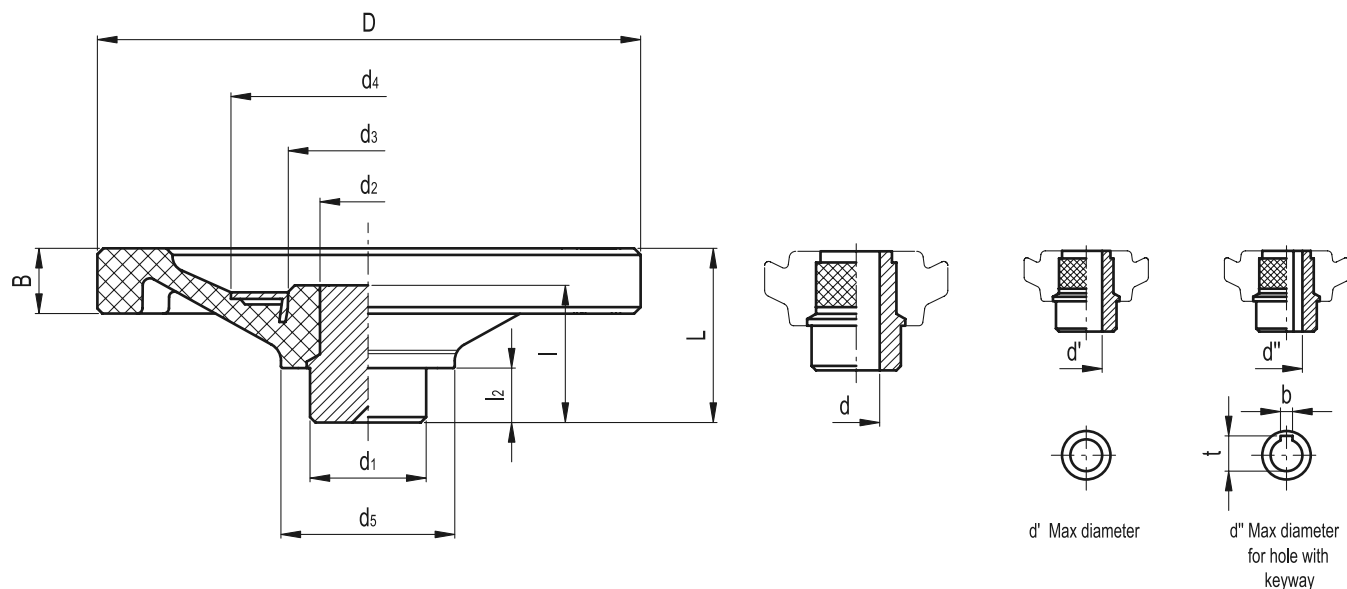
Accessories on request

Axial retaining washer type GN 184 (see page 631).

Ergonomy

The rim with internal rear scallops (for all models except VD.50, VD.63, VD.80 and VD.100) makes the grip and the manoeuvre of the handwheel easier even from side positions.





Standard Elements		Main dimensions										Bore	Permissible holes				C #	L #	Δ
Code	Description	D	L	B	d ₁	d ₂	d ₃	d ₄	d ₅	l ₁	l ₂	d H7	d'	d''	t	b	[Nm]	[J]	g
70101	VD.50 FP	50	22	12	16	16	-	25	26	19	9	-	12	10	11.4	3	55	3	60
70105*	VD.50 FP-A-10*	50	22	12	16	16	-	25	26	19	9	10	-	-	-	-	55	3	50
70201	VD.63 FP	63	28	13	20	20	-	31	28	24	10	-	13	11	12.8	4	75	4	115
70205*	VD.63 FP-A-10*	63	28	13	20	20	-	31	28	24	10	10	-	-	-	-	75	4	100
70301	VD.80 FP	80	31	14	20	16	28	43	30	28	10	-	13	11	12.8	4	90	8	145
70305*	VD.80 FP-A-10*	80	31	14	20	16	28	43	30	28	10	10	-	-	-	-	90	8	120
70307*	VD.80 FP-A-12*	80	31	14	20	16	28	43	30	28	10	12	-	-	-	-	90	8	115
70401	VD.100 FP	100	40	15	24	20	35	54	39	36	12	-	16	13	15.3	5	150	11	260
70405*	VD.100 FP-A-10*	100	40	15	24	20	35	54	39	36	12	10	-	-	-	-	150	11	230
70407*	VD.100 FP-A-12*	100	40	15	24	20	35	54	39	36	12	12	-	-	-	-	150	11	225
70501	VD.125 FP	125	44	15	32	24	44	70	46	38	15	-	20	16	18.3	5	300	14	380
70505*	VD.125 FP-A-12*	125	44	15	32	24	44	70	46	38	15	12	-	-	-	-	300	14	335
70507*	VD.125 FP-A-14*	125	44	15	32	24	44	70	46	38	15	14	-	-	-	-	300	14	330
70601	VD.140 FP	140	46	18	32	24	44	70	48	38	15	-	20	16	18.3	5	300	19	465
70605*	VD.140 FP-A-14*	140	46	18	32	24	44	70	48	38	15	14	-	-	-	-	300	19	430
70701	VD.150 FP	150	48	18	32	24	44	70	48	38	15	-	20	16	18.3	5	300	19	510
70703*	VD.150 FP-A-14*	150	48	18	32	24	44	70	48	38	15	14	-	-	-	-	300	19	465
70705*	VD.150 FP-A-16*	150	48	18	32	24	44	70	48	38	15	16	-	-	-	-	300	19	460
70801	VD.175 FP	175	53	19	40	31	55	90	56	43	15	-	26	22	24.8	6	500	27	765
70803*	VD.175 FP-A-16*	175	53	19	40	31	55	90	56	43	15	16	-	-	-	-	500	27	705
70805*	VD.175 FP-A-18*	175	53	19	40	31	55	90	56	43	15	18	-	-	-	-	500	27	700
70901	VD.200 FP	200	57	21	40	31	55	90	60	43	15	-	26	22	24.8	6	700	36	970
70905*	VD.200 FP-A-18*	200	57	21	40	31	55	90	60	43	15	18	-	-	-	-	700	36	935
70907*	VD.200 FP-A-20*	200	57	21	40	31	55	90	60	43	15	20	-	-	-	-	700	36	900
71001	VD.225 FP	225	61	23	49	38	66	110	66	44	15	-	34	27	30.3	8	900	36	1340
71101	VD.250 FP	249	65	25	49	38	66	110	70	44	15	-	35	27	30.3	8	1300	40	1520
71105*	VD.250 FP-A-22*	249	65	25	49	38	66	110	70	44	15	22	-	-	-	-	1300	40	1390
71201	VD.300 FP	301	75	25	58	58	94	148	82	56	18	-	42	38	41.3	10	1500	48	2920
71205*	VD.300 FP-A-26*	301	75	25	58	58	94	148	82	56	18	26	-	-	-	-	1500	48	2685
71301	VD.350 FP	350	92	38	58	58	94	148	90	56	18	-	42	38	41.3	10	1600	65	3960

See Technical Data (page A8) for maximum applicable torque (C) and impact strength (L).

* To order the handwheel with keyway add the index -K ex: 70105-K VD.50 FP-A-10-K