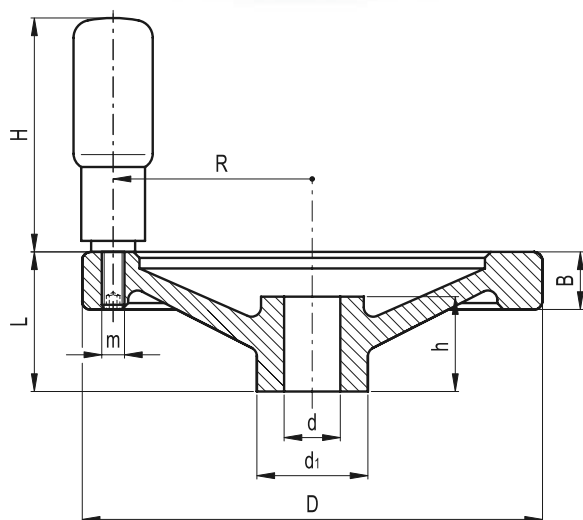


GN 323-R

Solid handwheels with revolving handle



• Material

Cast aluminium with black epoxy resin coating, turned rim.

• Assembly

- Execution **B**: hub with H7 tolerance plain hole.

- Execution **K**: hub with H7 reamed hole with keyway in compliance with DIN 6885/1 P9 tolerance (see page A17).

For fixing GN 323 on shafts by a grub screw see Technical Data on page A18.

• Revolving handle

Type GN 798 polyamide based (PA) technopolymer, black colour, matte finish. Resistant to solvents, oils, greases and other chemical agents.

The two-volume special design of the handle provides the operator's hand with a safe and ergonomic grip when turning the handwheel.

Other standard executions available

GN 323-D with GN 000.4 (see page 103) or GN 000.5 (see page 104) safety coupling bushing.

Accessories on request

Axial retaining washer GN 184 (see page 631).

Technical data

Axial and radial runout lower than IT 12.

Standard Elements	Main dimensions				Bore		Handle				Δ
Description	D	L	B	d ₁	d H7	h	H	Ø	m	R	g
GN 323-80-B10-R	80	26	13	26	10	16	44	16	M6	33.5	162
GN 323-80-B12-R	80	26	13	26	12	16	44	16	M6	33.5	155
GN 323-80-K10-R	80	26	13	26	10	16	44	16	M6	33.5	160
GN 323-80-K12-R	80	26	13	26	12	16	44	16	M6	33.5	153
GN 323-100-B10-R	100	30	14	28	10	17	58.5	18	M6	42.5	251
GN 323-100-B12-R	100	30	14	28	12	17	58.5	18	M6	42.5	249
GN 323-100-K10-R	100	30	14	28	10	17	58.5	18	M6	42.5	249
GN 323-100-K12-R	100	30	14	28	12	17	58.5	18	M6	42.5	247
GN 323-125-B12-R	125	33	15	31	12	18	61.5	22	M8	54	397
GN 323-125-B14-R	125	33	15	31	14	18	61.5	22	M8	54	387
GN 323-125-K12-R	125	33	15	31	12	18	61.5	22	M8	54	394
GN 323-125-K14-R	125	33	15	31	14	18	61.5	22	M8	54	385
GN 323-140-B14-R	140	36	16.5	36	14	19	76.5	24	M8	61	514
GN 323-140-B16-R	140	36	16.5	36	16	19	76.5	24	M8	61	510
GN 323-140-K14-R	140	36	16.5	36	14	19	76.5	24	M8	61	510
GN 323-140-K16-R	140	36	16.5	36	16	19	76.5	24	M8	61	507
GN 323-160-B14-R	160	39	18	36	14	20	76.5	24	M10	71	669
GN 323-160-B16-R	160	39	18	36	16	20	76.5	24	M10	71	659
GN 323-160-K14-R	160	39	18	36	14	20	76.5	24	M10	71	664
GN 323-160-K16-R	160	39	18	36	16	20	76.5	24	M10	71	654
GN 323-200-B18-R	200	45	20.5	42	18	24	86.5	25	M10	89	1030
GN 323-200-B20-R	200	45	20.5	42	20	24	86.5	25	M10	89	1028
GN 323-200-K18-R	200	45	20.5	42	18	24	86.5	25	M10	89	1025
GN 323-200-K20-R	200	45	20.5	42	20	24	86.5	25	M10	89	1010
GN 323-250-B22-R	250	51	23	48	22	28	86.5	25	M10	113	1666
GN 323-250-K22-R	250	51	23	48	22	28	86.5	25	M10	113	1661