

GN 321.5-D

Solid safety handwheels with revolving handle

- **Material**

Cast aluminium, fine sandblasted matte surface, turned and mirror-polished rim.

- **Revolving handle**

Type GN 598 (see page 396) steel with black epoxy resin coating.

- **Assembly**

Hub with keyway in compliance with DIN 6885/2 P9 tolerance (see page A17).

GN 000.5 (see page 104) safety coupling bushing with needle bearings.

- Execution **DR**: with engagement system by pushing.

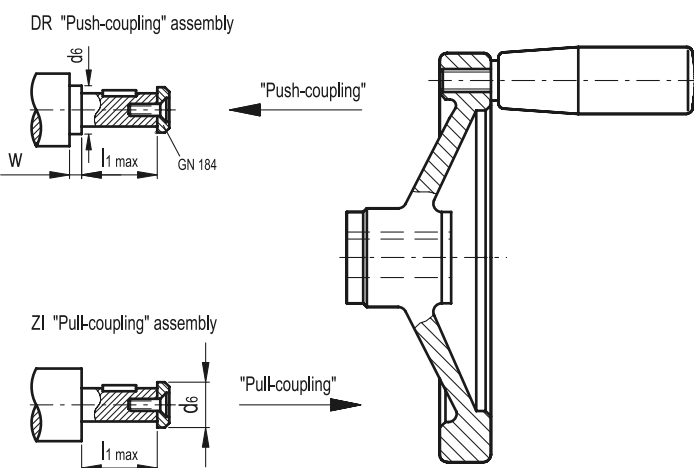
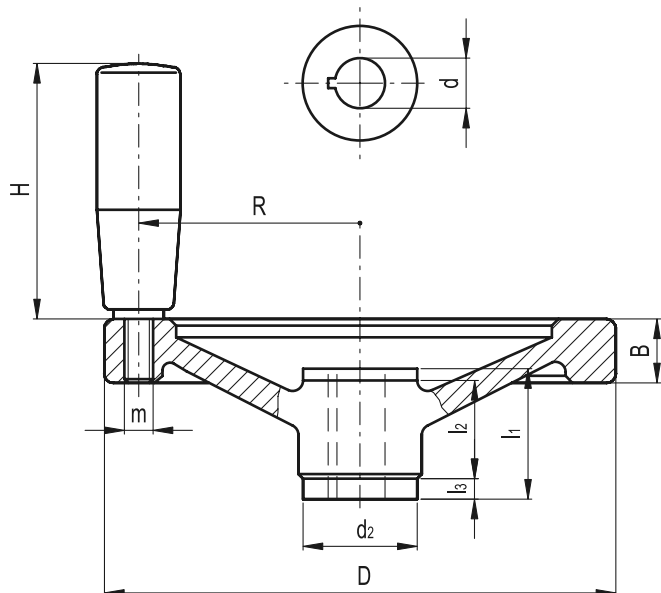
- Execution **ZI**: with engagement system by pulling.

Accessories on request

Axial retaining washer GN 184 (see page 631).

Technical data

Axial and radial runout lower than IT 12.



Standard Elements	Main dimensions								Safety coupling bushing GN 000.5	Mounting hole	Handle				g
	Description	D	B	d2	d6 max.	l1	l2	l3			w min.	d H7	H	Ø	
GN 321.5-125-K12-D-DR	125	15	29	17	42	18	12	4	GN 000.5-1	12	67.5	23	M8	54	562
GN 321.5-125-K12-D-ZI	125	15	29	17	42	18	12	4	GN 000.5-1	12	67.5	23	M8	54	562
GN 321.5-140-K12-D-DR	140	16.5	29	17	42	18	12	4	GN 000.5-1	12	67.5	23	M8	61	651
GN 321.5-140-K12-D-ZI	140	16.5	29	17	42	18	12	4	GN 000.5-1	12	67.5	23	M8	61	651
GN 321.5-140-K14-D-DR	140	16.5	33	21	48	20	14	4	GN 000.5-2	14	67.5	23	M8	61	706
GN 321.5-140-K14-D-ZI	140	16.5	33	21	48	20	14	4	GN 000.5-2	14	67.5	23	M8	61	706
GN 321.5-160-K14-D-DR	160	18	33	21	48	20	14	4	GN 000.5-2	14	82.5	26	M10	71	937
GN 321.5-160-K14-D-ZI	160	18	33	21	48	20	14	4	GN 000.5-2	14	82.5	26	M10	71	937
GN 321.5-200-K18-D-DR	200	20.5	39	26	50	24	13	4	GN 000.5-3	18	82.5	26	M10	89	1335
GN 321.5-200-K18-D-ZI	200	20.5	39	26	50	24	13	4	GN 000.5-3	18	82.5	26	M10	89	1335
GN 321.5-250-K22-D-DR	250	23	46	30	54	28	13	4	GN 000.5-4	22	92.5	28	M10	113	1916
GN 321.5-250-K22-D-ZI	250	23	46	30	54	28	13	4	GN 000.5-4	22	92.5	28	M10	113	1916