

GN 321.4-A

Solid safety handwheels

• Material

Cast aluminium, fine sandblasted matte surface, turned and mirror-polished rim.

• Assembly

Hub with keyway in compliance with DIN 6885/2 P9 tolerance (see page A17).

GN 000.4 (see page 103) safety coupling bushing with friction bearings.

- Execution **DR**: with engagement system by pushing.

- Execution **ZI**: with engagement system by pulling.

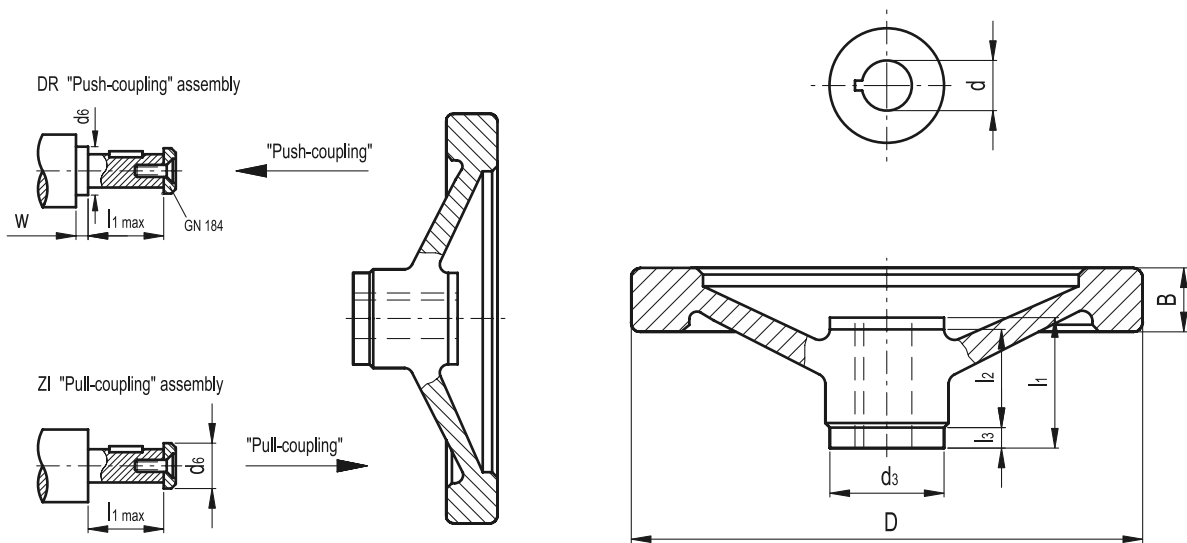


Accessories on request

Axial retaining washer GN 184 (see page 631).

Technical data

Axial and radial runout lower than IT 12.



Standard Elements Description	Main dimensions								Safety coupling bushing GN 000.4	Mounting hole	
	D	B	d ₃	d ₆ max.	l ₁	l ₂	l ₃	w min.		d H7	g
GN 321.4-125-K12-A-DR	125	15	28	17	28.5	18	5	4	GN 000.4-1	12	377
GN 321.4-125-K12-A-ZI	125	15	28	17	28.5	18	5	4	GN 000.4-1	12	377
GN 321.4-140-K12-A-DR	140	16.5	28	17	28.5	18	5	4	GN 000.4-1	12	466
GN 321.4-140-K12-A-ZI	140	16.5	28	17	28.5	18	5	4	GN 000.4-1	12	466
GN 321.4-140-K14-A-DR	140	16.5	32	21	32.5	20	6	4	GN 000.4-2	14	521
GN 321.4-140-K14-A-ZI	140	16.5	32	21	32.5	20	6	4	GN 000.4-2	14	521
GN 321.4-140-K16-A-DR	140	16.5	32	21	32.5	20	6	4	GN 000.4-2	16	508
GN 321.4-140-K16-A-ZI	140	16.5	32	21	32.5	20	6	4	GN 000.4-2	16	508
GN 321.4-160-K14-A-DR	160	18	32	21	32.5	20	6	4	GN 000.4-2	14	644
GN 321.4-160-K14-A-ZI	160	18	32	21	32.5	20	6	4	GN 000.4-2	14	644
GN 321.4-160-K16-A-DR	160	18	32	21	32.5	20	6	4	GN 000.4-2	16	631
GN 321.4-160-K16-A-ZI	160	18	32	21	32.5	20	6	4	GN 000.4-2	16	631
GN 321.4-200-K18-A-DR	200	20.5	38	26	36.5	24	6	4	GN 000.4-3	18	1042
GN 321.4-200-K18-A-ZI	200	20.5	38	26	36.5	24	6	4	GN 000.4-3	18	1042
GN 321.4-200-K20-A-DR	200	20.5	38	26	36.5	24	6	4	GN 000.4-3	20	1025
GN 321.4-200-K20-A-ZI	200	20.5	38	26	36.5	24	6	4	GN 000.4-3	20	1025
GN 321.4-250-K22-A-DR	250	23	45	30	47.5	28	12	4	GN 000.4-4	22	1623
GN 321.4-250-K22-A-ZI	250	23	45	30	47.5	28	12	4	GN 000.4-4	22	1623



elesA-GANTER

ELESA and GANTER models all rights reserved in accordance with the law. Always mention the source when reproducing our drawings.