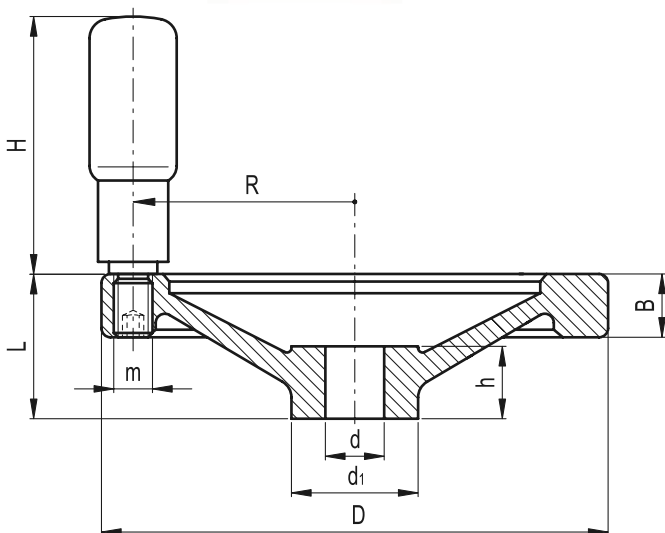


# GN 321-R

## Solid handwheels with revolving handle



### • Material

Cast aluminium, fine sandblasted matte surface, turned and mirror-polished rim.

### • Assembly

- Execution **B**: H7 reamed hole.

- Execution **K**: H7 reamed hole and keyway in compliance with DIN 6885/1 P9 tolerance (see page A17).

For fixing GN 321-R on shafts by a grub screw see Technical Data on page A18.

### • Revolving handle

Type GN 798 polyamide based (PA) technopolymer, black colour, matte finish. Resistant to solvents, oils, greases and other chemical agents. The two-volume special design of the handle provides the operator's hand with a safe and ergonomic grip when turning the handwheel.

### Other standard executions available

GN 321.4-D (see page 97) or GN 321.5-D (see page 99) with GN 000.4 (see page 103) or GN 000.5 (see page 104) safety coupling bushing.

### Accessories on request

Axial retaining washer type GN 184 (see page 631).

### Technical data

Axial and radial runout lower than IT 12.

Standard Elements	Main dimensions				Bore		Handle				△△
Description	D	L	B	d <sub>1</sub>	d H7	h	H	Ø	m	R	g
GN 321-80-B10-R	80	26	13	26	10	16	44	16	M6	33.5	161
GN 321-80-B12-R	80	26	13	26	12	16	44	16	M6	33.5	154
GN 321-80-K10-R	80	26	13	26	10	16	44	16	M6	33.5	159
GN 321-80-K12-R	80	26	13	26	12	16	44	16	M6	33.5	152
GN 321-100-B10-R	100	30	14	28	10	17	58.5	18	M6	42.5	255
GN 321-100-B12-R	100	30	14	28	12	17	58.5	18	M6	42.5	253
GN 321-100-K10-R	100	30	14	28	10	17	58.5	18	M6	42.5	253
GN 321-100-K12-R	100	30	14	28	12	17	58.5	18	M6	42.5	251
GN 321-125-B12-R	125	33	15	31	12	18	61.5	22	M8	54	394
GN 321-125-B14-R	125	33	15	31	14	18	61.5	22	M8	54	374
GN 321-125-K12-R	125	33	15	31	12	18	61.5	22	M8	54	392
GN 321-125-K14-R	125	33	15	31	14	18	61.5	22	M8	54	372
GN 321-140-B14-R	140	36	16.5	36	14	19	76.5	24	M8	61	507
GN 321-140-B16-R	140	36	16.5	36	16	19	76.5	24	M8	61	503
GN 321-140-K14-R	140	36	16.5	36	14	19	76.5	24	M8	61	501
GN 321-140-K16-R	140	36	16.5	36	16	19	76.5	24	M8	61	505
GN 321-160-B14-R	160	39	18	36	14	20	76.5	24	M10	71	675
GN 321-160-B16-R	160	39	18	36	16	20	76.5	24	M10	71	665
GN 321-160-K14-R	160	39	18	36	14	20	76.5	24	M10	71	671
GN 321-160-K16-R	160	39	18	36	16	20	76.5	24	M10	71	661
GN 321-200-B18-R	200	45	20.5	45	18	24	86.5	25	M10	89	990
GN 321-200-B20-R	200	45	20.5	45	20	24	86.5	25	M10	89	988
GN 321-200-K18-R	200	45	20.5	45	18	24	86.5	25	M10	89	984
GN 321-200-K20-R	200	45	20.5	45	20	24	86.5	25	M10	89	963
GN 321-250-B22-R	250	51	23	48	22	28	86.5	25	M10	113	1626
GN 321-250-B26-R	250	51	23	48	26	28	86.5	25	M10	113	1583
GN 321-250-K22-R	250	51	23	48	22	28	86.5	25	M10	113	1621
GN 321-250-K26-R	250	51	23	48	26	28	86.5	25	M10	113	1577