

GN 000.4

Safety coupling bushings for handwheels with friction bearing



• Material

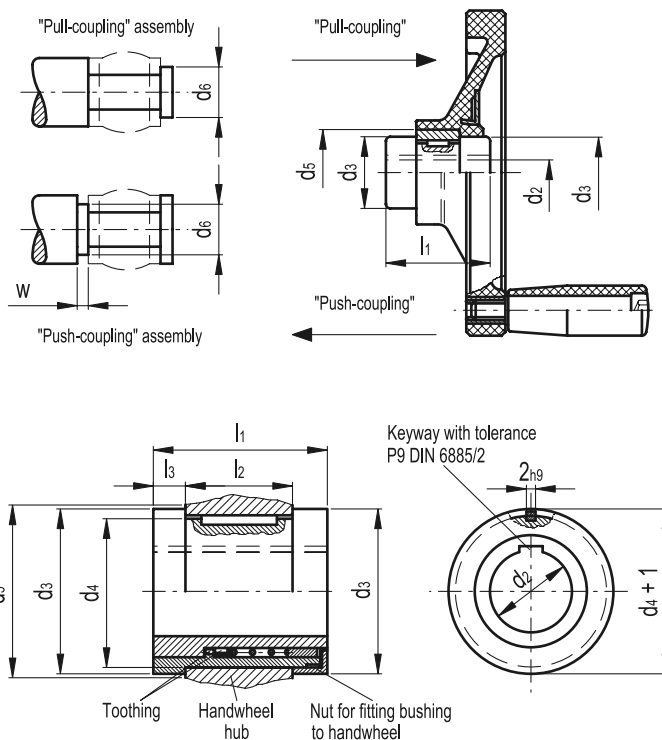
Steel with Teflon® (registered trademark of DuPont Dow Elastomers) coated sliding surfaces.

• Assembly

Hardened steel hub with H7 reamed hole and keyway in compliance with DIN 6885/1 P9 tolerance (see page A17), sheet 2 and tab for fitting on handwheel hub.

Features and applications

The Teflon-coated surfaces provide minimal friction between bearing surfaces even when lubrication is being neglected. An oil-hole is provided which in the completely assembled safety handwheel connects the wheel to the hub.



Standard Elements	Main dimensions									\triangle
Description	d2 H7	d3	* d4 -0.05	# d5	d6 max.	l1	* l2 ±0.1	l3	w min.	g
GN 000.4-1-K12	12	28	25	29	17	28.5	18	5	4	81
GN 000.4-2-K14	14	32	29	33	21	32.5	20	6	4	123
GN 000.4-2-K16	16	32	29	33	21	32.5	20	6	4	110
GN 000.4-3-K18	18	38	35	39	26	36.5	24	6	4	190
GN 000.4-3-K20	20	38	35	39	26	36.5	24	6	4	173
GN 000.4-4-K22	22	45	41	46	30	47.5	28	12	4	349

* Diameter d4 and length l2 of the coupling are located within the hub of the handwheel (H7 reamed hole).

Minimum handwheel hub diameter.