

VRU.

ELESA Original design

Spoked handwheels



Material

High-strength, reinforced phenolic based (PF) Duroplast. Resistant to solvents, oils, greases and other chemical agents.

Colour

Black, glossy finish.

Assembly

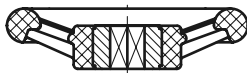
Large diameter black-oxide steel hub, uncovered front end with spot-drilling.

Accessories on request

Axial retaining washer type GN 184 (see page 631).



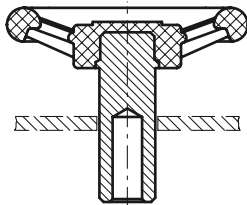
Special executions and applications



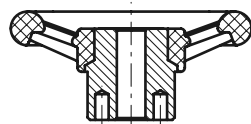
Square through hole



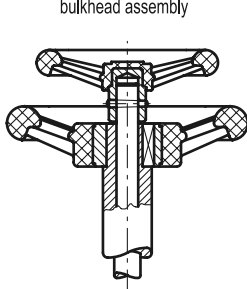
Drive hole



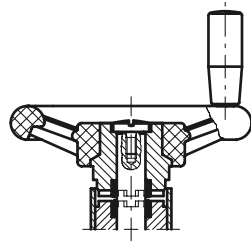
Extended hub for bulkhead assembly



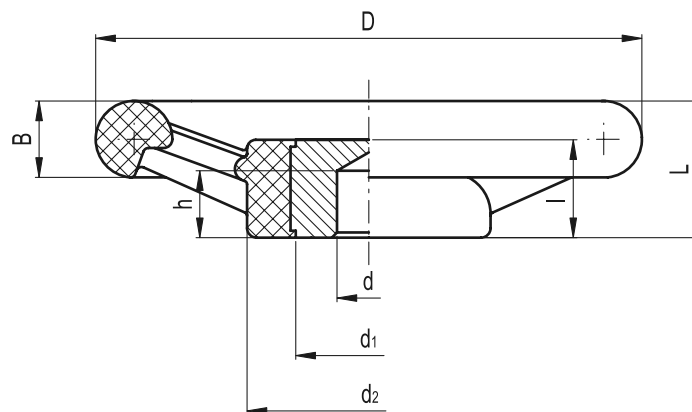
Extended hub with spring-loaded ball locking mechanism



Controlling coaxial shafts



Extended hub toothed coupling



Standard Elements		Main dimensions						Hole dimensions		C #	L #	Δ
Code	Description	D	L	B	d ₁	d ₂	l	d H9	h	[Nm]	[J]	g
80001	VRU.125	125	28	18	32	55	22	10	15	220	9	315
80101	VRU.160	160	35	22	42	70	26	10	17	350	13	615
80201	VRU.200	199	40	26	53	85	27	12	20	450	20	990
80301	VRU.250	249	49	30	68	105	30	12	22	650	25	1770

See Technical Data (page A8) for maximum applicable torque (C) and impact strength (L).



eleSA-GANTER

ELESA and GANTER models all rights reserved in accordance with the law. Always mention the source when reproducing our drawings.