

VRU+I

ELESA Original design

Spoked handwheels with revolving handle



- **Material**

High-strength, reinforced phenolic based (PF) Duroplast. Resistant to solvents, oils, greases and other chemical agents.

- **Colour**

Black, glossy finish.

- **Assembly**

Large diameter black-oxide steel hub, uncovered front end with spot-drilling.

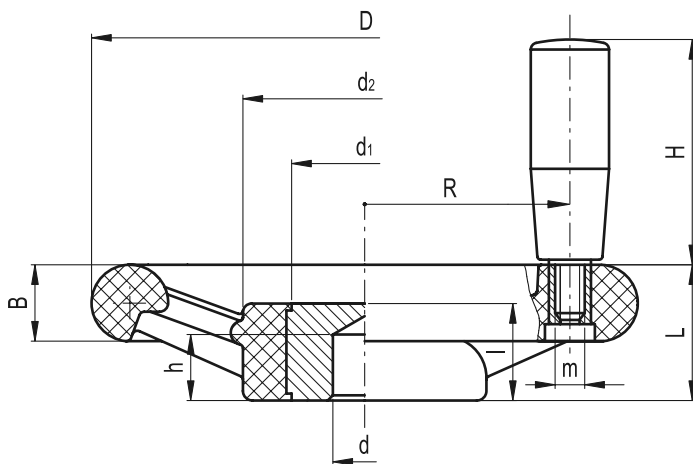
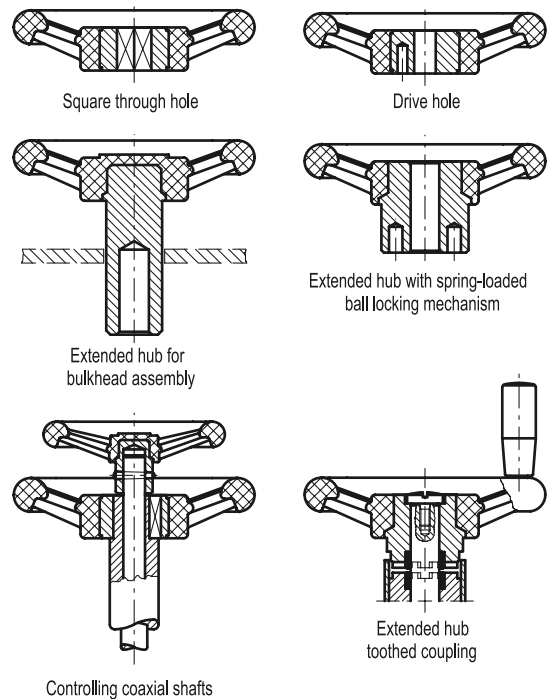
- **Revolving handle**

Type I.301+x (see page 395) Duroplast, black colour, glossy finish.

Accessories on request

Axial retaining washer type GN 184 (see page 631).

Special executions and applications



Standard Elements		Main dimensions						Hole dimensions		Handle			C #	L #	Δ
Code	Description	D	L	B	d ₁	d ₂	l	d H9	h	H	m	R	[Nm]	[J]	g
80011	VRU.125+I	125	28	18	32	55	22	10	15	65	M8	47	220	9	400
80111	VRU.160+I	160	35	22	42	70	26	10	17	65	M8	60	350	13	700
80211	VRU.200+I	199	40	26	53	85	27	12	20	80	M10	75	450	20	1130
80311	VRU.250+I	249	49	30	68	105	30	12	22	80	M10	99	650	25	1910

See Technical Data (page A8) for maximum applicable torque (C) and impact strength (L).