

# VR.FP+I

ELESA Original design

## Spoked handwheels with revolving handle



- **Material**

High-strength, reinforced phenolic based (PF) Duroplast. Resistant to solvents, oils, greases and other chemical agents.

- **Colour**

Black, glossy finish.

- **Assembly**

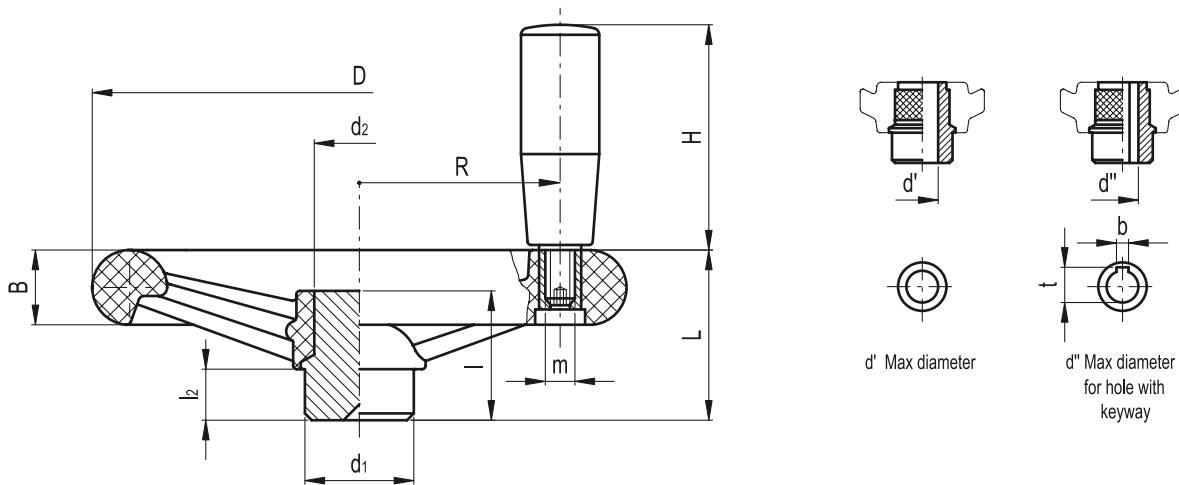
Black-oxide steel hub, uncovered front end, not drilled. See table for maximum permissible boring diameter  $d'$  and  $d''$ .

- **Revolving handle**

Type I.301+x (see page 395) Duroplast, black colour, glossy finish.

**Accessories on request**

Axial retaining washer type GN 184 (see page 631).



| Standard Elements |             | Main dimensions |     |    |                |                |    |                | Handle |     |     | Permissible holes |     |      |    | C #  | L # | $\Delta$ |
|-------------------|-------------|-----------------|-----|----|----------------|----------------|----|----------------|--------|-----|-----|-------------------|-----|------|----|------|-----|----------|
| Code              | Description | D               | L   | B  | d <sub>1</sub> | d <sub>2</sub> | l  | l <sub>2</sub> | H      | m   | R   | d'                | d'' | t    | b  | [Nm] | [J] | g        |
| 77121             | VR.100 FP+I | 98              | 40  | 14 | 24             | 20             | 36 | 12             | 40     | M6  | 37  | 16                | 13  | 15.3 | 5  | 67   | 5   | 205      |
| 77221             | VR.125 FP+I | 124             | 45  | 18 | 24             | 20             | 36 | 12             | 50     | M8  | 47  | 16                | 13  | 15.3 | 5  | 120  | 8   | 300      |
| 77321             | VR.140 FP+I | 139             | 47  | 20 | 32             | 24             | 38 | 15             | 65     | M8  | 53  | 20                | 16  | 18.3 | 5  | 165  | 12  | 475      |
| 77421             | VR.160 FP+I | 157             | 50  | 22 | 32             | 24             | 38 | 15             | 65     | M8  | 59  | 20                | 16  | 18.3 | 5  | 165  | 12  | 540      |
| 77521             | VR.180 FP+I | 180             | 56  | 24 | 40             | 31             | 43 | 15             | 80     | M10 | 68  | 26                | 22  | 24.8 | 6  | 280  | 15  | 830      |
| 77621             | VR.200 FP+I | 198             | 56  | 24 | 40             | 31             | 43 | 15             | 80     | M10 | 76  | 26                | 22  | 24.8 | 6  | 300  | 16  | 880      |
| 77721             | VR.250 FP+I | 247             | 66  | 30 | 49             | 38             | 44 | 15             | 90     | M10 | 98  | 34                | 27  | 30.3 | 8  | 405  | 19  | 1420     |
| 77821             | VR.300 FP+I | 288             | 78  | 32 | 58             | 47             | 56 | 18             | 100    | M12 | 113 | 42                | 34  | 37.3 | 10 | 800  | 33  | 2335     |
| 77911             | VR.375 FP+I | 375             | 108 | 40 | 58             | 58             | 77 | 26             | 100    | M12 | 160 | 45                | 40  | 43.3 | 12 | 1450 | 70  | 4170     |

# See Technical Data (page A8) for maximum applicable torque (C) and impact strength (L).