



GN 324-R

Spoked handwheels with revolving handle

- **Material**
Cast aluminium with black epoxy resin coating, turned rim.
- **Assembly**
 - Execution **B**: hub with H7 tolerance plain hole.
 - Execution **K**: hub with H7 reamed hole with keyway in compliance with DIN 6885/1 P9 tolerance (see page A17).

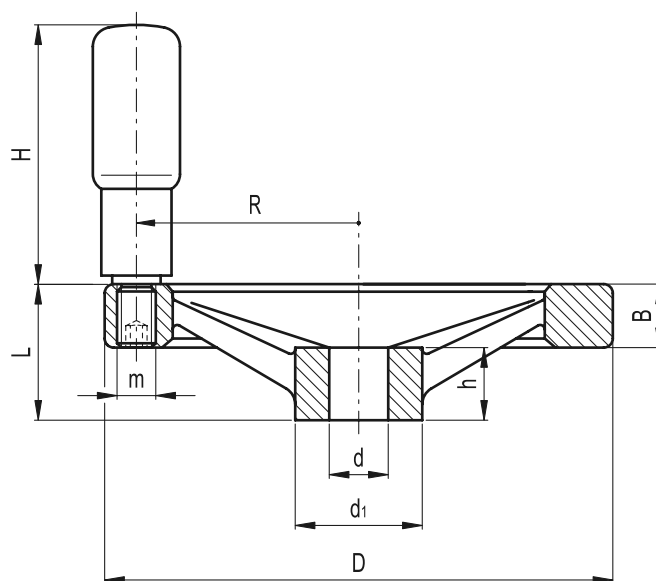
For fixing GN 324 on shafts by a grub screw see Technical Data on page A18.
- **Revolving handle**
Type GN 798 in polyamide based (PA) technopolymer, black colour, matte finish. Resistant to solvents, oils, greases and other chemical agents. The two-volume special design of the handle provides the operator's hand with a safe and ergonomic grip when turning the handwheel.

Accessories on request

Axial retaining washer GN 184 (see page 631).

Technical data

Axial and radial runout lower than IT 12.



Standard Elements	Main dimensions				Bore		Handle				
Description	D	L	B	d ₁	d H7	h	H	Ø	m	R	g
GN 324-125-B12-R	125	33	15	31	12	18	61.5	22	M8	54	391
GN 324-125-K12-R	125	33	15	31	12	18	61.5	22	M8	54	388
GN 324-140-B14-R	140	36	16.5	36	14	19	76.5	24	M8	61	483
GN 324-140-K14-R	140	36	16.5	36	14	19	76.5	24	M8	61	479
GN 324-160-B14-R	160	39	18	36	14	20	76.5	24	M10	71	644
GN 324-160-K14-R	160	39	18	36	14	20	76.5	24	M10	71	640
GN 324-200-B18-R	200	45	20.5	42	18	24	86.5	25	M10	89	1015
GN 324-200-K18-R	200	45	20.5	42	18	24	86.5	25	M10	89	1010
GN 324-250-B22-R	250	51	23	48	22	28	86.5	25	M10	113	1623
GN 324-250-K22-R	250	51	23	48	22	28	86.5	25	M10	113	1618