

# GN 324-A

## Spoked handwheels

### Material

Cast aluminium with black epoxy resin coating, turned rim.

### Assembly

- Execution **B**: hub with H7 tolerance plain hole.
- Execution **K**: hub with H7 reamed hole with keyway in compliance with DIN 6885/1 P9 tolerance (see page A17).

For fixing GN 324 on shafts by a grub screw see Technical Data on page A18.

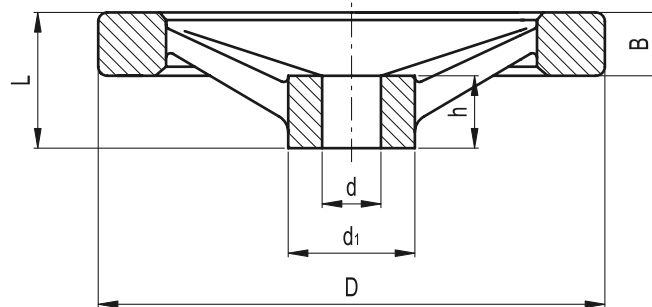


### Accessories on request

Axial retaining washer GN 184 (see page 631).

### Technical data

Axial and radial runout lower than IT 12.



Standard Elements	Main dimensions				Bore		g
	D	L	B	d <sub>1</sub>	d H7	h	
GN 324-125-B12-A	125	33	15	31	12	18	316
GN 324-125-K12-A	125	33	15	31	12	18	313
GN 324-140-B14-A	140	36	16.5	36	14	19	408
GN 324-140-K14-A	140	36	16.5	36	14	19	404
GN 324-160-B14-A	160	39	18	36	14	20	540
GN 324-160-K14-A	160	39	18	36	14	20	536
GN 324-200-B18-A	200	45	20.5	42	18	24	911
GN 324-200-K18-A	200	45	20.5	42	18	24	906
GN 324-250-B22-A	250	51	23	48	22	28	1503
GN 324-250-K22-A	250	51	23	48	22	28	1498



**eleSa+GANter**

ELESA and GANTER models all rights reserved in accordance with the law. Always mention the source when reproducing our drawings.