

GN 322-R

Spoked handwheels with revolving handle



• Material

Cast aluminium, fine sandblasted matte surface, turned and mirror-polished rim.

• Assembly

- Execution **B**: H7 reamed hole.

- Execution **K**: H7 reamed hole and keyway in compliance with DIN 6885/1 P9 tolerance (see page A17).

For fixing GN 322-R on shafts by a grub screw see Technical Data on page A18.

• Revolving handle

Type GN 798 in polyamide based (PA) technopolymer, black colour, matte finish. Resistant to solvents, oils, greases and other chemical agents.

The two-volume special design of the handle provides the operator's hand with a safe and ergonomic grip when turning the handwheel.

Other standard executions available

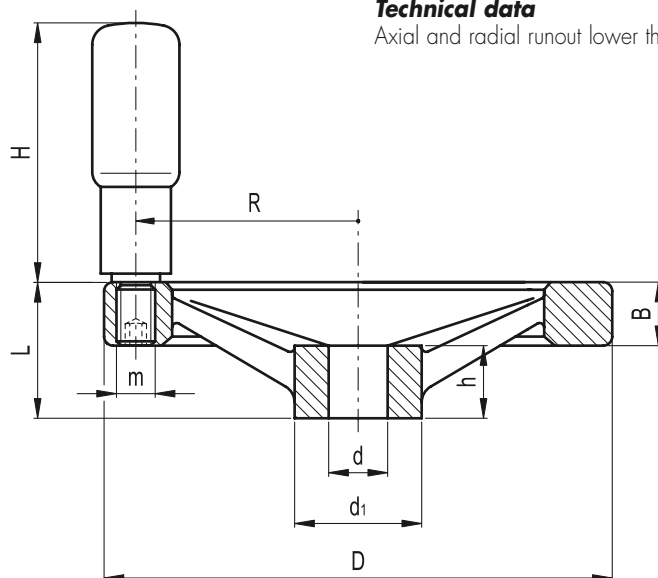
GN 322-D with GN 000.4 (see page 103) or GN 000.5 (see page 104) safety coupling bushing.

Accessories on request

Axial retaining washer type GN 184 (see page 631).

Technical data

Axial and radial runout lower than IT 12.



Standard Elements	Main dimensions				Bore			Handle				\triangle
Description	D	L	B	d ₁	d H7	h	H	Ø	m	R	g	
GN 322-125-B12-R	125	33	15	31	12	18	61.5	22	M8	54	383	
GN 322-125-B14-R	125	33	15	31	14	18	61.5	22	M8	54	386	
GN 322-125-K12-R	125	33	15	31	12	18	61.5	22	M8	54	381	
GN 322-125-K14-R	125	33	15	31	14	18	61.5	22	M8	54	384	
GN 322-140-B14-R	140	36	16.5	36	14	19	76.5	24	M8	61	486	
GN 322-140-B16-R	140	36	16.5	36	16	19	76.5	24	M8	61	469	
GN 322-140-K14-R	140	36	16.5	36	14	19	76.5	24	M8	61	484	
GN 322-140-K16-R	140	36	16.5	36	16	19	76.5	24	M8	61	467	
GN 322-160-B14-R	160	39	18	36	14	20	76.5	24	M10	71	643	
GN 322-160-B16-R	160	39	18	36	16	20	76.5	24	M10	71	634	
GN 322-160-K14-R	160	39	18	36	14	20	76.5	24	M10	71	640	
GN 322-160-K16-R	160	39	18	36	16	20	76.5	24	M10	71	631	
GN 322-200-B18-R	200	45	20.5	42	18	24	86.5	25	M10	89	996	
GN 322-200-B20-R	200	45	20.5	42	20	24	86.5	25	M10	89	989	
GN 322-200-K18-R	200	45	20.5	42	18	24	86.5	25	M10	89	985	
GN 322-200-K20-R	200	45	20.5	42	20	24	86.5	25	M10	89	992	
GN 322-250-B22-R	250	51	23	48	22	28	86.5	25	M10	113	1598	
GN 322-250-B26-R	250	51	23	48	26	28	86.5	25	M10	113	1574	
GN 322-250-K22-R	250	51	23	48	22	28	86.5	25	M10	113	1593	
GN 322-250-K26-R	250	51	23	48	26	28	86.5	25	M10	113	1568	