

ELESA Original design

Monospoke handwheel with revolving handle



Operating elements

1

70

Material

Glass-fibre reinforced polypropylene based (PP) technopolymer. Resistant to solvents, oils, greases and other chemical agents.

Colour

Black, matte finish.

Assembly

- Black-oxide steel boss, H7 reamed hole.
- Execution **K**: bosses with hole and keyway in compliance with DIN 6885/1 P9 tolerance (see page A17).

To order the handwheel with keyway complete code and description with the index -K.

Boss cap

Polyester based technopolymer (PBT) in Ergostyle colours, glossy finish; supplied not assembled, press-fit mounting, removable by pressing on the outer edge (ELESA original design).

Available also as accessory sold separately (see table below).

Code	Description	Boss cap for
29451-*	ECB.13-*	EMW.350

* Complete the code and the description specifying the index of the colour (C1, ..., C6).

Revolving handle

Type IEL+x (see page 371) semi-rigid thermoplastic elastomer (TPE), hardness 70 Shore D, black colour, matte finish. The two-volume special design provides the operator's hand with a safe and ergonomic grip during rotation of the handwheel.

Accessories on request

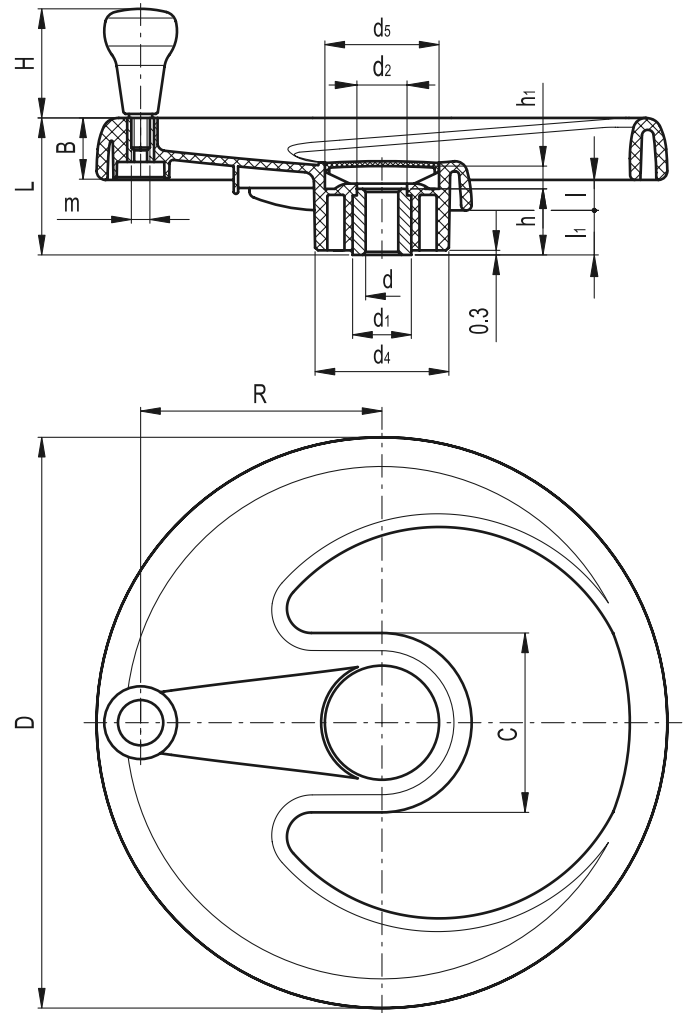
Axial retaining washer type GN 184 (see page 631).

Special executions on request (For sufficient quantities)

Executions with locking device and latch (Elesa patent), see drawings.

Ergonomy and design

The light visual impact and the eccentric movement effect of EMW. monospoke handwheel offer a modern and innovative design. A high degree of flexibility and resilience guarantees maximum operator safety in case of accidental contact.



C1 RAL 7021 **C2** RAL 2004 **C3** RAL 7035 **C4** RAL 1021 **C5** RAL 5024 **C6** RAL 3000



Standard Elements		Main dimensions										Bore		Handle			C #	L #	△△	
Code	Description	D	L	B	l	l ₁	d ₁	d ₂	d ₄	d ₅	h ₁	C	d H7	h	H	m	R	[Nm]	[J]	g
204611-*	EMW.350+IEL-A-20-*	350	82	38	19	25	35	33	82	70	14	110	20	38	65	M10	148	380	14	1195

See Technical Data (page A8) for maximum applicable torque (C) and impact strength (L).

* Complete the code and the description of the standard item needed by adding the index of the colour of the cap (C1, ..., C6), ex: 204611-C2 EMW.350+IEL-A-20-C2. To order the handwheel with keyway add the index -K ex: 204611-K-C2 EMW.350+IEL-A-20-K-C2.